

# 微電腦型頻率隔離傳送器 ( MICROPROCESS FREQUENCY ISOLATED TRANSMITTER )

MODEL  
PWRTMF



## 特點(FEATURES)

- 精確度0.03%滿刻度 (Accuracy 0.03%F.S.)
- 頻率輸入範圍0.01Hz至80KHz(Input range from 0.01 Hz to 80KHz)
- 15BIT 隔離類比輸出(15bit DAC isolating analog output)
- 輸入與輸出絕緣耐壓2仟伏特/1分鐘(Dielectric strength 2KVac/1min. (input/output/power))
- 寬範圍交直流兩用電源設計(Wide input range for auxiliary power)
- 尺寸小,穩定性高(Dimension small and High stability)

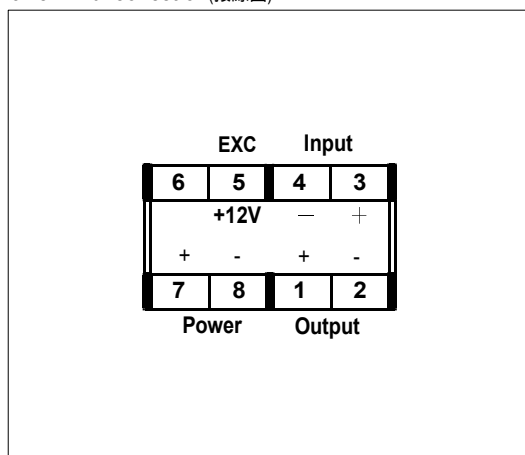
## 1:MODEL:PWRTMF- (選購型號)

NO	Input Type	NO	Input Type	NO	Input Type	NO	Output Range	NO	Output Range	NO	Output Range	NO	Aux. Power
1	Dry contact	5	Magnetic pick-up (AC50mV-1.5V)	7	AC2-60V	A	DC0-1V	E	DC2-10V	I	DC4-20mA	A	AC/DC 18-60V
2	Pulse(TTL)(5V)	6	Magnetic pick-up (AC500mV-15V)	9	SPECIFIED	B	DC0-5V	F	DC0-1mA	R	SPECIFIED	B	AC/DC 90-260V
3	Pulse(NPN)(12V)			C	DC1-5V	G	DC0-10mA	Less 3VA for AC/DC input					
4	Pulse(PNP)(12V)			D	DC0-10V	H	DC0-20mA						

## 2.SPECIFICATION (主要規格)

- Measuring accuracy : 0.03% F.S. (23 ± 5 )  
(精確度)
- Count input type : Switch selectable current sourcing(NPN)  
(脈波輸入型式) or current sinking (PNP)
- Count input trigger levels : HI bias (CMOS) (V<sub>IH</sub>=7.5V, V<sub>IL</sub>=5.5V)  
(脈波觸發電位) LO bias (TTL) (V<sub>IH</sub>=3.7V, V<sub>IL</sub>=2.0V)
- Sampling time : 20 cycles/sec. (>10Hz)  
(取樣時間) f/2 cycles/sec. (<10Hz)
- Analog output resolution : 15 bit DAC  
(類比輸出解析度)
- Response time : < 250 ms (0-90%)(>10Hz)  
(輸出反應速度)
- Output drive capability : < 10mA for voltage mode  
(輸出負載能力) < 10V for current mode
- Output ripple (p-p) : < 0.1% F.S.  
(輸出之漣波)
- Zero (offset) range : 0- ± 9999 Digit adjustable  
(歸零調整範圍)
- Span (scale) range : 0- ± 9999 Digit adjustable  
(最大值調整範圍)
- Sensor power supply : 12VDC ± 3% (<50mA)  
(感應器電源)
- Temp. coefficient : 50ppm/ (0-50 )  
(溫度係數)
- Display : Red high efficiency LEDs high 10.16mm (0.4")  
(顯示幕)
- Isolation : Input/Output/Power/Case  
(隔離特性)
- Parameter setting : Touch switches  
(參數設定方式)
- Memory mode : Non-volatile E<sup>2</sup> PROM memory  
(記憶方式)
- Insulation Resistance : >100M ohm with 500V DC  
(絕緣阻抗)
- Dielectric strength : 2KVac/1 min. (input/output/power)  
(絕緣耐壓能力) 1600Vdc (input/output)
- Operating condition : 0-50 (20 to 90% RH non-condensed)  
(使用環境條件)
- Storage condition : 0-70 (20 to 90% RH non-condensed)  
(存放環境條件)
- Construction : Socket/plugin type with barrier terminals  
(安裝方式)

## 3.Terminal conection(接線圖)



## 4.Dimension(unit:mm)(外型尺寸)

