

直流信號隔離傳送器 (DC SIGNAL ISOLATED TRANSMITTER)

MODEL
PWRTD



特點(FEATURES)

- 精確度0.1%滿刻度 (Accuracy 0.1%F.S.)
- 多種輸入輸出選擇(Wide selection of input/output range)
- 輸入與輸出絕緣耐壓 2仟伏特/1分鐘(Dielectric strength 2KVac/1 min.(input/output))
- 寬範圍交直流兩用電源設計(Wide input range for auxiliary power)
- 尺寸小,穩定性高(Dimension small & High stability)

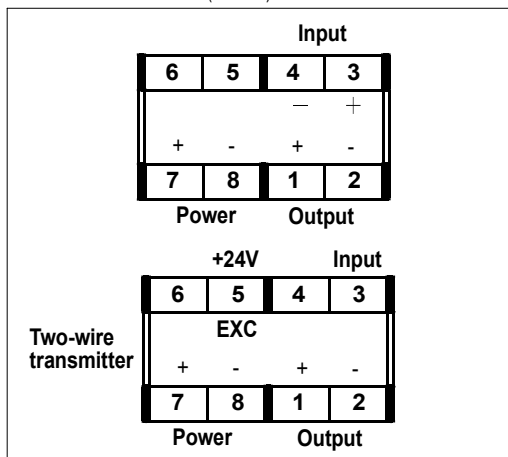
1.MODEL:PWRTD- (選購型號)

| NO | Input Range | NO | Input Range | NO | Input Range | NO | Input Range | NO | Output Range | NO | Output Range | NO | Aux. Power |
|----|-------------|----|-------------|----|-------------|--|-------------|----|--------------|----|--------------|--------------------------|---------------|
| 10 | 0-10mV | 15 | 0-10V | 20 | 0-1mA | 25 | 4-20mA | A | 0-50mV | F | 0-1mA | A | AC/DC 18-60V |
| 11 | 0-50mV | 16 | 2-10V | 21 | 0-10mA | 29 | SPECIFIED | B | 0-1V | G | 0-10mA | B | AC/DC 90-260V |
| 12 | 0-1V | 17 | -10-+10V | 22 | 0-20mA | exciting DC24V (<25mA) (two-wire transmitter) | | C | 1-5V | H | 0-20mA | Less 3VA for AC/DC input | |
| 13 | 0-5V | 18 | 0-100V | 23 | 4-20mA | | | D | 0-10V | I | 4-20mA | | |
| 14 | 1-5V | 19 | 0-200V | 24 | 10-50mA | E | 2-10V | R | SPECIFIED | | | | |

2.SPECIFICATION (主要規格)

- Measuring accuracy : 0.1% F.S. (23 ± 5)
(精確度)
- Input resistance : >100M ohm (<2V range)
(輸入阻抗) >1M ohm (>2V range)
<10 ohm (current input)
- Maximum input : <300Vrms (>2V ranges)
(最大過載能力) <150Vrms (<2V ranges)
<150mA (current ranges)
- Response time : <250ms (0-90%)
(輸出反應時間)
- Output drive capability : <10mA for voltage mode
(輸出負載能力) <10V for current mode
- Output ripple(p-p) : <0.1% F.S.
(輸出漣波)
- Zero (offset) range : 0- ± 5% F.S.
(歸零調整範圍)
- Span (scale) range : 0- ± 10% F.S.
(最大值調整範圍)
- Temp. coefficient : 100ppm/ (0-50)
(溫度係數)
- Isolation : Input/Output/Power/Case
(隔離特性)
- Insulation Resistance : >100M ohm with 500V DC
(絕緣阻抗)
- Dielectric strength : 2KVac/1 min. (input/output/power)
(絕緣耐壓能力) 1600Vdc (input/output)
- Operating condition : 0-50 (20 to 90% RH non-condensed)
(使用環境條件)
- Storage condition : 0-70 (20 to 90% RH non-condensed)
(存放環境條件)
- Construction : Socket/plugin type with barrier terminals
(安裝方式)

3.Terminal conection(接線圖)



4.Dimension(unit:mm)(外型尺寸)

