

# 電位計隔離雙輸出傳送器

( DUAL OUTPUT POTENTIOMETER ISOLATED TRANSMITTER )

MODEL  
PWRDTK



## 特點(FEATURES)

- 精確度0.1%滿刻度 (Accuracy 0.1%F.S.)
- 寬輸入範圍 200 ohm 至 50K ohm(Wide input ranges form 200 ohm to 50K ohm)
- 多種輸入與輸出選擇(Wide selection of input/output range)
- 輸入與輸出絕緣耐壓2千伏特/1分鐘(Dielectric strength 2KVac/1min. (input/output/power))
- 寬範圍交直流兩用電源設計(Wide input range for auxiliary power)
- 尺寸小、穩定性高(Dimension small and High stability)

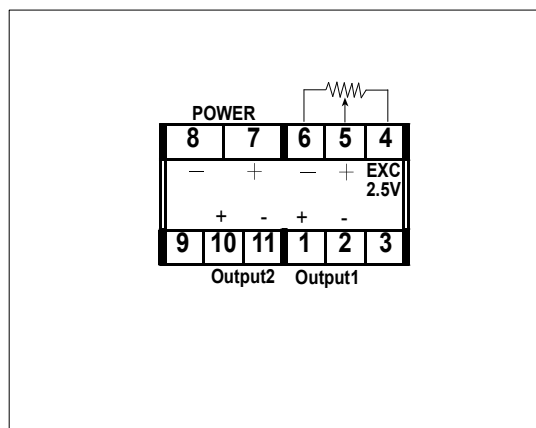
## 1.MODEL:PWRDTK- (選購型號)

NO	Input Range	NO	Input Range	NO	Output 1 Range	NO	Output 2 Range	NO	Aux. Power
1	0-10%	6	5-95%	C	DC1-5V	C	DC1-5V	A	AC/DC 18-60V
2	0-25%	7	0-100%	D	DC0-10V	D	DC0-10V	B	AC/DC 90-260V
3	0-50%	9	SPECIFIED	F	DC0-1mA	F	DC0-1mA		Less 4VA for AC/DC input
4	0-90%		Exciting voltage	I	DC4-20mA	I	DC4-20mA		
5	10-90%		2.5VDC(<12.5mA)	R	SPECIFIED	R	SPECIFIED		

## 2.SPECIFICATION (主要規格)

- Measuring accuracy : 0.1% F.S. (23 ± 5 )  
(精確度)
- Response time : < 250 ms (0-90%)  
(輸出反應速度)
- Output drive capability : < 10mA for voltage mode  
(輸出負載能力)
- Output ripple (p-p) : < 0.1% F.S.  
(輸出之漣波)
- Zero (offset) range : 0- ± 5% F.S.  
(歸零調整範圍)
- Span (scale) range : 0- ± 10% F.S.  
(最大值調整範圍)
- Temp. coefficient : 100ppm/ (0-50 )  
(溫度係數)
- Isolation : Input/Output 1/Output 2/Power/Case  
(隔離特性)
- Insulation Resistance : >100M ohm with 500V DC  
(絕緣阻抗)
- Dielectric strength : 2KVac/1 min. (input/output 1/output 2/power)  
(絕緣耐壓能力)
- Operating condition : 0-50 (20 to 90% RH non-condensed)  
(使用環境條件)
- Storage condition : 0-70 (20 to 90% RH non-condensed)  
(存放環境條件)
- Construction : Socket/plugin type with barrier terminals  
(安裝方式)

## 3.Terminal conection(接線圖)



## 4.Dimension(unit:mm)(外型尺寸)

